

## Installation of SMR<sup>®</sup> Delta Door Frame with Milled Jamb and Mitered Trim

1) Rough Opening: Width 1-5/8" wider than desired door width and 13/16" higher than desired door height.

2) **NOTE:** Care is required in fastening drywall to rough opening framing to avoid exposure of screw heads after frame is installed.

3) If rough opening is framed with steel stud and runner track as header (legs down), notch and extend header track upwards and screw to stud.

**Caution:** Framing attachment screws, Type S-12 low profile head, must not cause wall board to bulge.

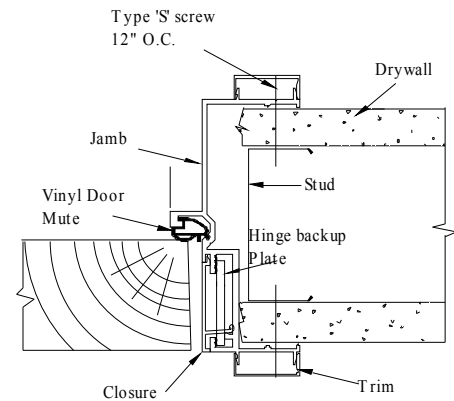
4) Unpack frame and check packing list against contents.

5) Determine centerline of door at floor and head. Mark wall at head of rough opening for ends of Header when centered.

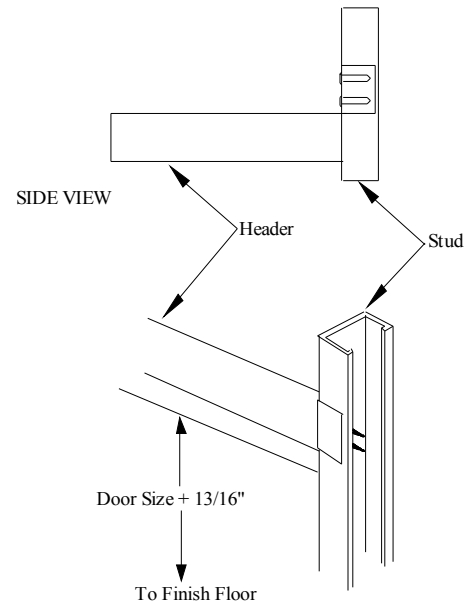
6) Center and level head section and secure to wall with standard Type S drywall screws at each end and 12" o.c. maximum.

7) Determine high side of floor and cut Jambs to required heights to compensate for any floor variation. Jambs are supplied approximately 1" over length to allow for "field cutting" to exact length.

8) Position both Jambs tight to Header. Secure head section to Jambs with the four (4) steel Corner Clips provided, using 1/2" Type S-12 pan head screws. The long leg of the clip attaches to Jamb leg and fits snugly between extruded trim projections.

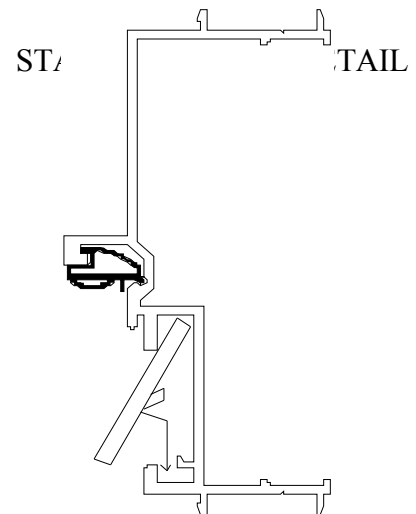
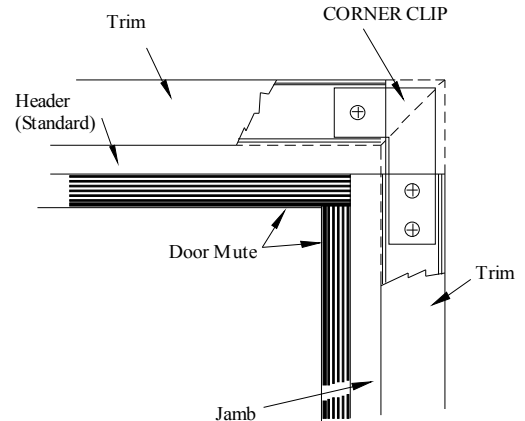


### SMR<sup>®</sup> DELTA DOOR FRAME



- 9) Plumb Jambs and secure to wall. Screws should be spaced 2" from ends, and no greater than 12" o.c.
- 10) The 1 3/4" door leaf should be mortised with a 5/16" backset. Shop mortising of leaf, and shop installation of 4 1/2" hinges to leaf is possible with this frame and is more economical than field mortising.
- 11) After attaching full hinges to door leaf, block door leaf to desired height above floor and with desired clearance at head. Snap Hinge Backup Plates into channel, as shown on "Installation of Backup Plate" detail, secure butts to Hinge Backup Plates using 1/2" x 12-24 screws. Use wax or soap on screws and No. 3 Phillips bit to avoid stripping screw heads. Secure OUTSIDE screws first. The door leaf can be adjusted up or down to desired position by loosening screws in Hinge Backup Plates. Tightening the screws locks the Hinge Backup Plate securely in place.
- 12) Measure, cut and snap in Closure on hinge side. (See Instruction sheet for closure Installation)
- 13) Establish centerline of strike and install Strike Plate supplied.
- 14) With Strike Plate installed, measure, cut and snap in Closure on strike side.
- 15) Trim for Header is supplied cut to exact length and mitered at both ends. Install Header Trim.
- 16) Trim for Jambs is supplied mitered on one end and 1" over-length to allow for floor variations. Cut Trim to required length and snap on Trim after door leaf is hung. Trim should fit snugly. If there is a tendency to rattle, give full length a slight twist before installing.
- 17) Trim removal: Use wood chisel, bevel side down to pry-off Trim.

## ROUGH OPENING DETAIL

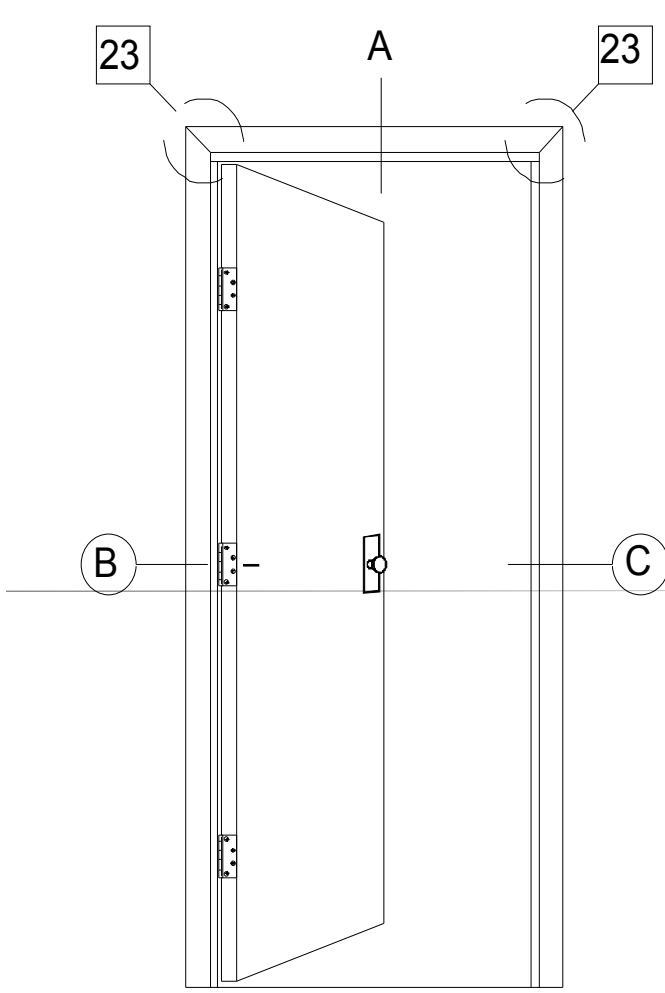


## INSTALLATION OF BACKUP PLATE

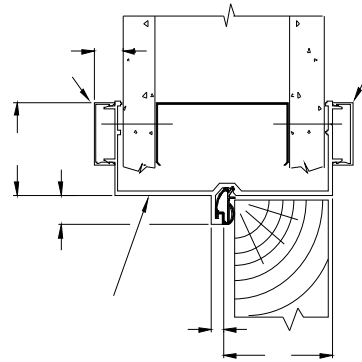
\*IF YOU HAVE SELECTED THE PRE-MORTISED ALTERNATIVE, THE HINGE BACK-UP PLATES, CLOSURE AND STRIKE PLATE HAVE BEEN FACTORY INSTALLED PER YOUR SPECIFICATIONS.

- 18) If necessary to clean aluminum, use water with mild detergent. No abrasive or caustic cleaning agent should be used.

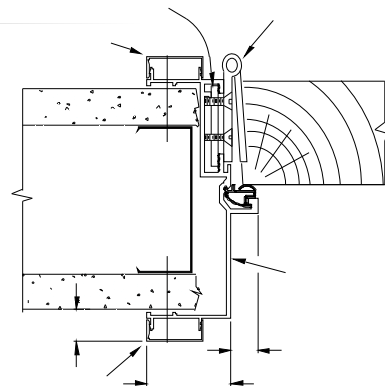
SMR Delta Door Frames are protected by:  
U.S. Patent #3,287,856 as well as patents in other countries



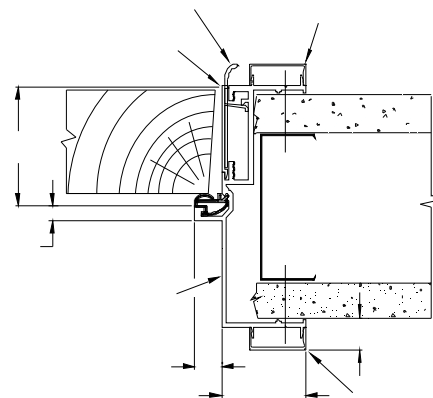
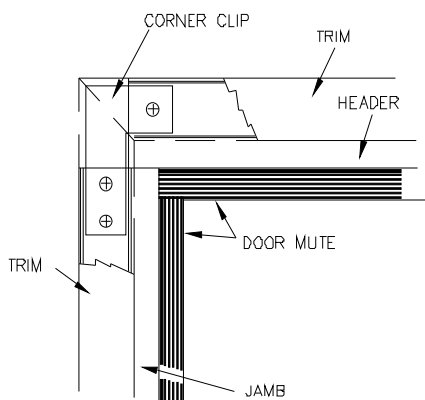
ELEVATION



CROSS SECTION A



CROSS SECTION B



CROSS SECTION C