

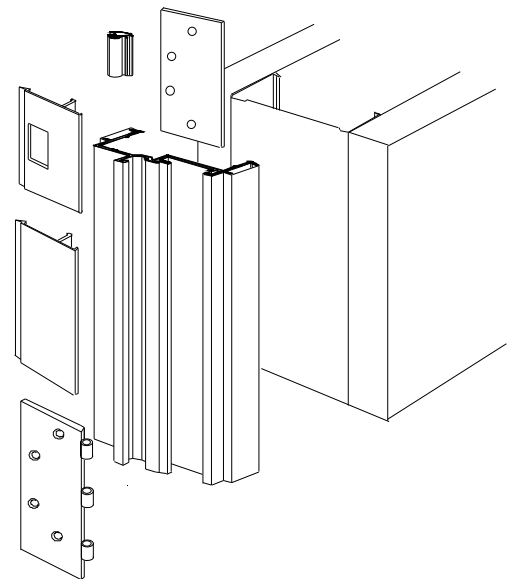
Installation of SMR[®] Delta Door Frame with Milled Snap-In Header

1) Each box contains frame set of the following:

<u>COMPONENT</u>	<u>QUANTITY PER FRAME</u>
Jamb	2
Header	1
Closure	2
Trim	4
Strike Plate	1
Hinge Backup Plate	3 (a)
Vinyl Door Mute (Factory Installed)	3
F- Clip	4

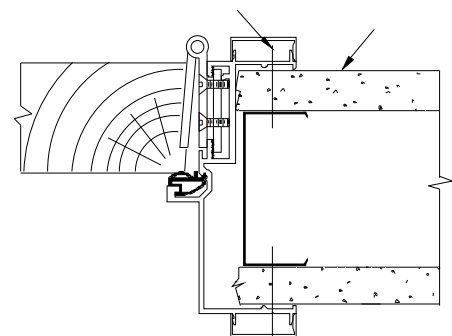
(a) add one Hinge Backup Plate for 7'6" height or greater.

- 2) Frames are fabricated to exact width specified and no clearance is built-in unless specifically requested.
- 3) Rough opening should be 1-5/8" wider than desired door width.
- 4) **NOTE:** Care is required in fastening panels to vertical Strut Runner to avoid exposure of screw heads after frame is installed.
- 5) Unpack frame and check packing list against contents.
- 6) Determine centerline of door at floor and head. Mark ceiling track for ends of Header when centered.
- 7) Determine high side of floor and cut Jambs to required height to compensate for any floor variation. Jambs are supplied approximately 1" over length to allow for field cutting to exact length.
- 8) Position Jambs equi-distant from centerline. Plumb hinge Jamb and secure to wall on one side only with 1-1/4" Type 'S' standard drywall screws. Screws



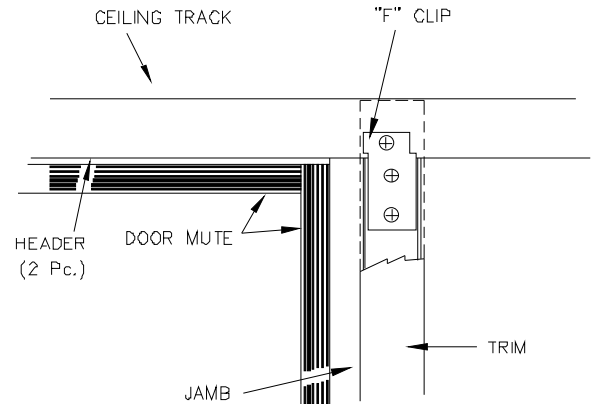
1-1/4" Screw
 Type 'S'
 12" o.c.

Wall Panel



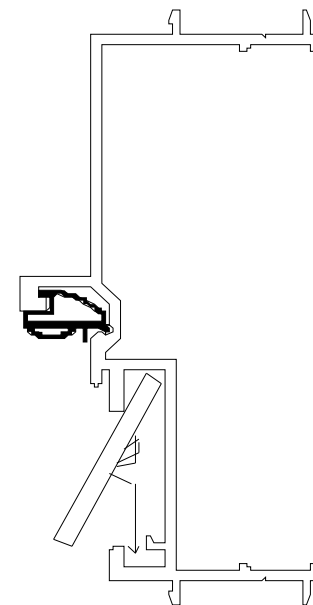
should be spaced 2" maximum from both ends, at each butt location, and no greater than 12" o.c.

*Cut uppermost Closure per door hinge mortising and clearance requirements. Snap in Closure on both Jambs, then snap Header into ceiling track. Position both Jambs tight to Header. Plumb the strike Jamb and attach both Jambs to the wall.



SNAP – IN HEAD DETAIL

- 9) Secure Jambs to ceiling track with F Clips, supplied.
- 10) The 1-3/4" door leaf should be mortised with a 5/16" backset. Shop mortising of leaf and shop installation of 4-1/2" hinges to the leaf is possible with this frame and is more economical than field mortising.
- *11) After attaching the full hinges to door leaf, block door leaf to desired height above floor and with desired clearance at head. Snap Hinge Backup Plates into channel, as shown in "Installation of Backup Plate detail. Secure butts to Hinge Backup Plates using 1/2" x 12-24 screws. Use wax or soap on screws and No. 3 Phillips bit to avoid stripping screw heads. Secure OUTSIDE screws first. The door leaf can be adjusted up or down to desired position by loosening screws in Hinge Backup Plates. Tightening the screws locks the Hinge Backup Plates securely in place.
- *12) Measure, cut and snap in Closure on hinge side. (See Instruction sheet for closure Installation)
- *13) Establish centerline of strike and install Strike Plate, supplied. The Strike Plate accepts door hardware which complies with Federal Specifications No. 160 and 161. For other types of hardware installations, contact Modulex, div. of Pacific National Group.
- *14) With Strike Plate installed, measure, cut and snap in Closure on Strike side.
- 15) Trim for Jambs is supplied approximately 1" over length to allow for floor variations. Cut trim to required length and snap on Trim after door leaf is hung. Trim should fit snugly. If there is a tendency to rattle, give full length a slight twist before installing



INSTALLATION OF BACKUP PLATE

*IF YOU HAVE SELECTED THE PRE-MORTISED ALTERNATIVE, THE HINGE BACK-UP PLATES, CLOSURE AND STRIKE PLATE HAVE BEEN FACTORY INSTALLED PER YOUR SPECIFICATIONS

-
- 16) If necessary to clean aluminum, use water with a mild detergent. No abrasive or caustic cleaning agent should be used.

SMR Delta Door Frames are protected by:
U.S. Patent #3,287,856 as well as patents in other countries