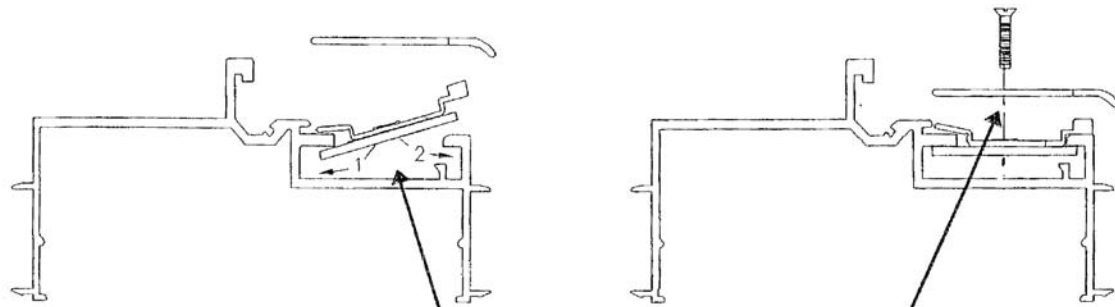
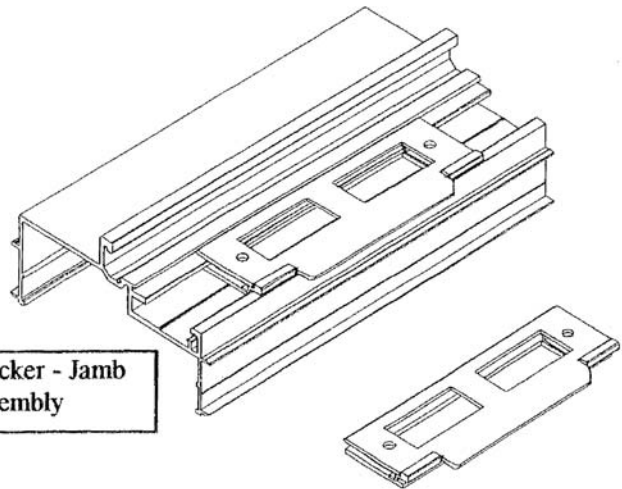
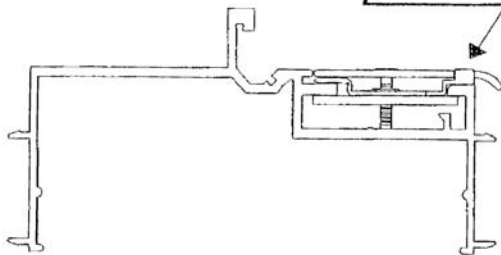


INSTALLATION OF SMR[®] DELTA DOOR FRAME ASA STRIKE BACKER ASSEMBLY



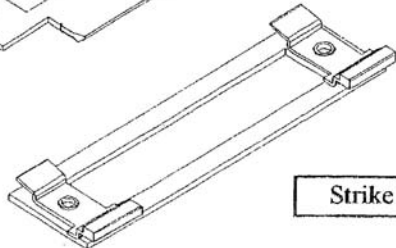
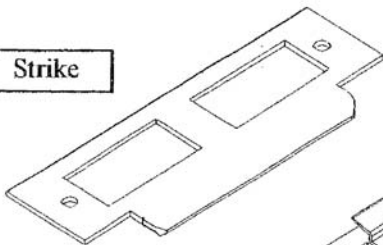
Strike Backer Assembly snaps into channel in jamb, and its secured using two 12-24 x 1/2" long flat head screws mounted through ASA Strike Plate. (supplied by others)



Strike

Strike Backer - Jamb Assembly

Strike Backer - Strike Assembly



Strike Backer