

---

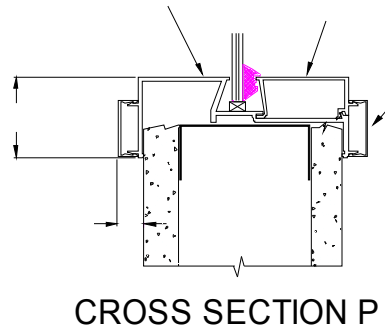
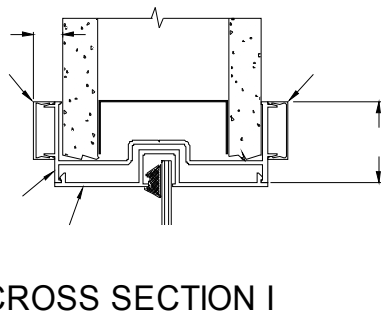
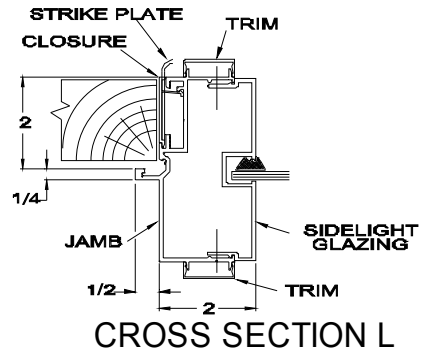
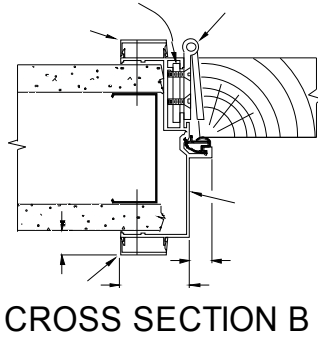
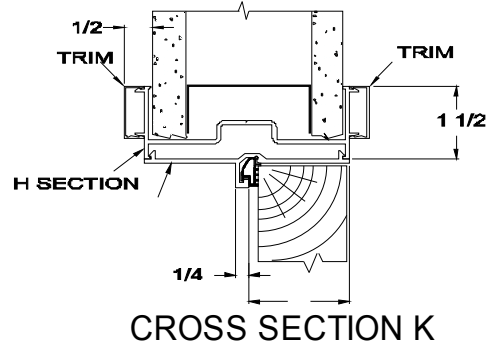
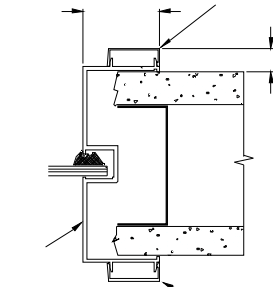
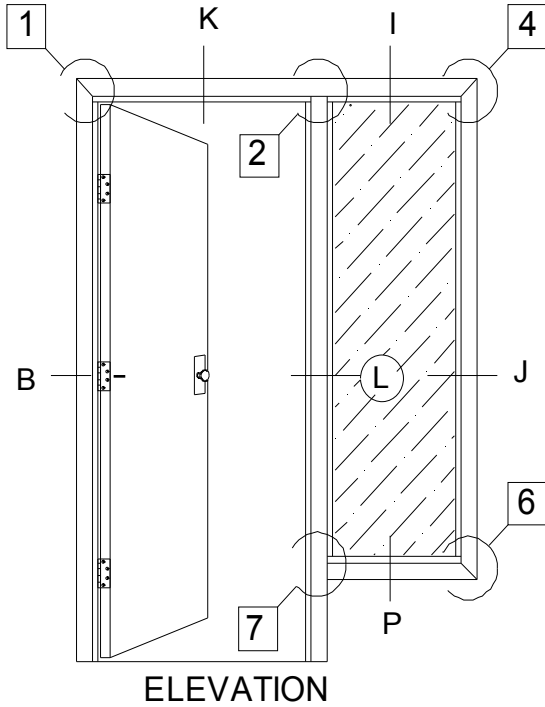
## Installation of SMR<sup>®</sup> Delta 200 SERIES Door Frame / Sidelight to Wall Combination

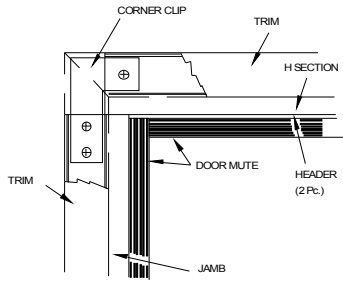
Rough Opening: Width 1-5/8" wider than combination of Door Opening plus frame/sidelight mullion (2") plus Sidelight Opening. Do not factor in Vertical Mullions.  
Height 13/16" higher than Door Opening. Do not factor in Horizontal Mullions.

- 1) Door Mute
  - a. Compress the Door Mute into the Snap-In Head and Jambs by pushing the excess mute at each end.
  - b. Trim the remaining mute (if any) with 1/4" remaining beyond each end. (Compress the extra 1/4" into the jambs and header during installation)
- 2) Install Header
  - a. Wrap H-Section over the wall as shown in Cross Section I & K, equal distant from Rough Opening.
- 3) Install Jambs
  - a. Cut to size if unit not ordered "Cut Net"
  - b. Determine the top of the Hinge Jamb.
  - c. Wrap the Hinge Jamb over the wall as shown in Cross Section B.
  - d. Wrap the Glazing Channel over the wall as shown in Cross Section J.
- 4) Level and Secure Header
  - a. Pull the H-Section down tight to the Hinge Jamb and Glazing Channel, keeping the H-Section equal distant from Rough Opening, and adjusting the Hinge Jamb and Glazing Channel as needed to achieve a tight fit. See Joint Detail 1 & 4.
  - b. Check H-Section for Level and secure to wall.
- 5) Plumb and Secure Hinge Jamb
  - a. Plumb (Vertical Level) the Hinge Jamb, keeping a tight corner fit and H-Section overlap as shown in Joint Detail 1.
  - b. Secure the Hinge Jamb to the wall.
  - c. Install Corner Clip (2 each) as shown in Joint Detail 1.
- 6) Plumb and Secure Glazing Channel
  - a. Plumb (Vertical Level) the Glazing Channel, keeping a tight corner fit and H-Section overlap as shown in Joint Detail 4.
  - b. Adjust as needed.
  - c. Secure the Glazing Channel to the wall.
  - d. Install Corner Clip (2 each) as shown in Joint Detail 4.
- 7) Install Door Header
  - a. Snap-in Head to H-Section over door opening, per Cross Section K, tight to the Hinge Jamb.

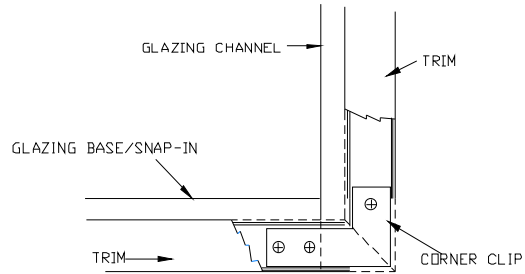
- 
- 8) Install the Sidelight Mullion between the Door and Glass
    - a. Assemble the Strike Jamb and Sidelight Glazing per Cross Section L.
    - b. Determine the top of the Strike Jamb.
    - c. Secure the top of the Mullion Assembly with F CLIPS (2 each), tight to the (2pc.) Header and H Section, as shown in Joint Detail 2.
  
  - 9) Install Glazing Base
    - a. Wrap the Glazing Base over the Wall tight to the Glazing Channel and bring the Sidelight Mullion tight to the Glazing Base.
    - b. Check Sidelight Mullion for Plumb (Vertical Level) and adjust the Glazing Base as needed.
    - c. Level and secure Glazing Base tight to Glazing Channel with corner clips as shown in Joint Detail 6. Secure Glazing Base to Wall.
    - d. Pull Strike Jamb tight to Glazing Base and secure to wall.
    - e. Snap in the Glazing Base Snap-in, as shown in Cross Section P. (If Vertical Glass to Glass Mullions are part of your unit, Glazing Base Snap-in will be multiple pieces.)
  
  - 10) Install Vertical Mullions Between Glass (If Required)
    - a. See “Installation Instructions for 200 SERIES Sidelight Vertical Mullion”
  
  - 11) Install Snap-in Glazing
    - a. Snap-in Glazing to H-Section as shown in Cross Section I above the glass opening.
  
  - 12) Install Horizontal Mullions Between Glass (If Required)
    - a. See “Installation Instructions for 200 SERIES Horizontal Mullion”
  
  - 13) Install Header Trim
    - a. Locate the Header Trim. (2 pieces, mitered at both ends).
    - b. Install per Cross Section I & K, centering the short side of the Trim on the H-Section.
  
  - 14) Install Jamb Trim
    - a. Locate the Jamb & Glazing Channel Trim.
    - b. Cut Jamb trim to size if unit not ordered “Cut Net”.
    - c. Install per Cross Section B & J, keeping the miter joint tight per Joint Detail 1, 4 & 6.
  
  - 15) Install Vertical Sidelight Mullion Trim
    - a. Locate the Vertical Sidelight Mullion Trim. (square cut at both ends).
    - b. Cut to size if unit not ordered “Cut Net”.
    - c. Install per Cross Section L, keeping top of Trim tight to the Header Trim, per Joint Detail 2.
  
  - 16) Install Glazing Base Trim
    - a. Locate the Glazing Base Trim. (miter cut at one end). Install per Cross Section P, keeping the Trim tight to both the Sidelight Mullion Trim and the Glazing Channel Trim, per Joint Detail 6 & 7.
  
  - 17) Install Vertical Glass to Glass Mullion Trim (If Required)
    - a. See “Installation Instructions for 200 SERIES Sidelight Vertical Mullion”
-

- 18) Install Horizontal Glass to Glass Mullion Trim (If Required)
  - a. See “Installation Instructions for 200 SERIES Horizontal Mullion”

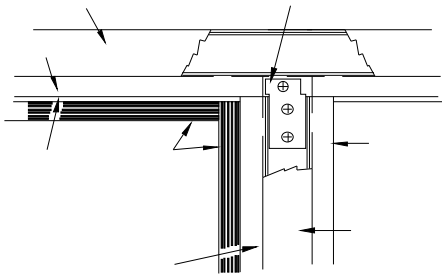




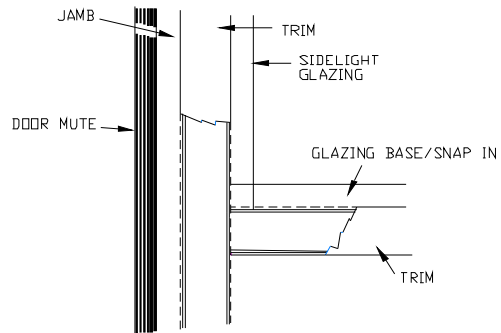
JOINT DETAIL 1



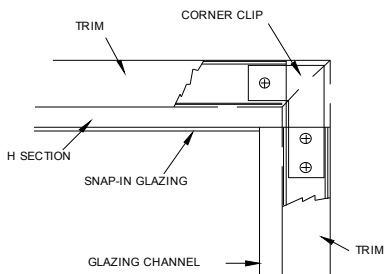
JOINT DETAIL 6



JOINT DETAIL 2



JOINT DETAIL 7



JOINT DETAIL 4

