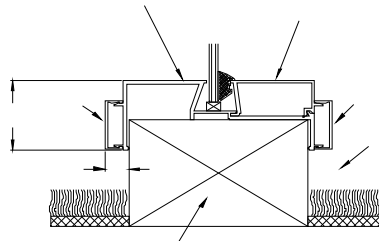
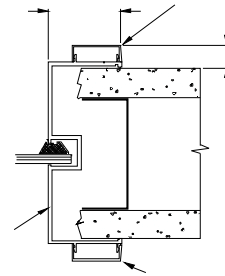
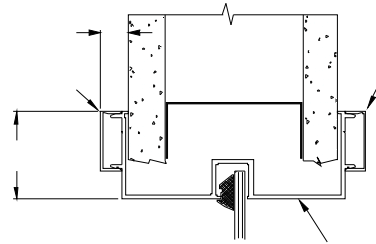
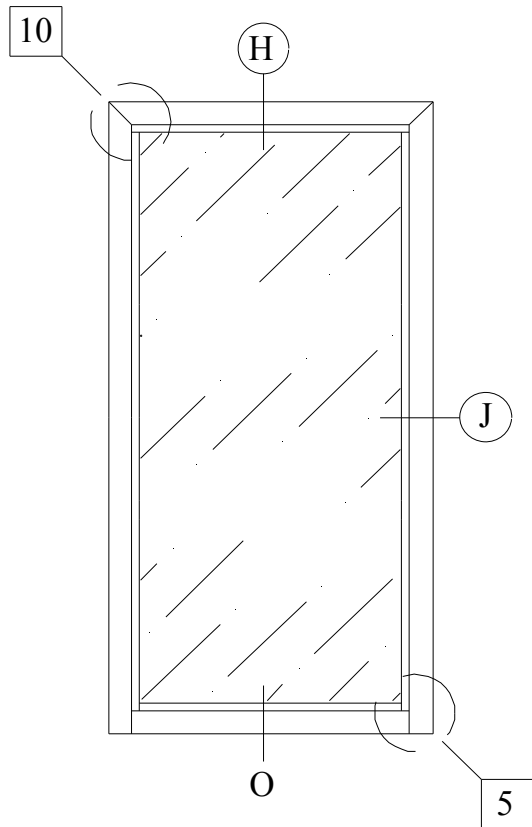

Installation of SMR[®] Delta 200 SERIES Relight Frame to Floor

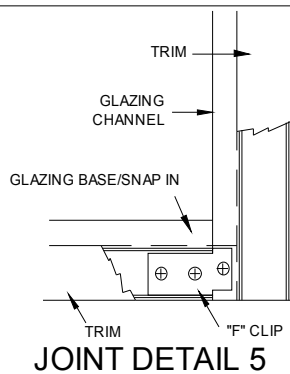
Rough Opening: Width 1-5/8" wider than window inside opening
Height 13/16" higher than window inside opening
Studs must have Pocket Facing Out

- 1) Install Header
 - a. Wrap the Header Glazing Channel over the wall as shown in Cross Section H, equal distant from Rough Opening.
- 2) Install Glazing Jambs
 - a. Cut to size if unit was not ordered "Cut Net".
 - b. Wrap the Glazing Channel (2 each) over the wall as shown in Cross Section J. The Glazing Jambs set under Header and overlap Glazing Base to Floor.
- 3) Level and Secure Header
 - a. Pull the Header Glazing Channel down tight to both of the Glazing Jambs, keeping the Header equal distant from each end of the Rough Opening, and adjusting the Jambs as needed to achieve a tight fit. See Joint Detail 10.
 - b. Check Header Glazing Channel for Level and secure to wall.
- 4) Install Glazing Base
 - a. Secure Blocking (by others) to floor as shown in Cross Section O, full length between the Glazing Jambs.
 - b. Wrap the Glazing Base over the Blocking tight to the Glazing Jamb at each end.
 - c. Level and secure the Glazing Base to the Blocking.
 - d. Secure each end of the Glazing Base with F Clips (4 each) to the Glazing Channel as shown in Joint Detail 5.
- 5) Plumb and Secure Jambs
 - a. Plumb (Vertical Level) the Glazing Jambs, keeping a tight corner fit with Header Glazing Channel overlap as shown in Joint Detail 10.
 - b. Secure both of the Glazing Jambs to the wall.
 - c. Install Corner Clip (4 each) as shown in Joint Detail 10.
- 6) Install Vertical Mullions Between Glass (If Required)
 - a. See "Installation Instructions for 200 SERIES Relight Vertical Mullion"
- 7) Install Horizontal Mullions Between Glass (If Required)
 - a. See "Installation Instructions for 200 SERIES Horizontal Mullion"
- 8) Install Header Trim
 - a. Locate the Header Trim. (2 pieces, mitered at both ends).

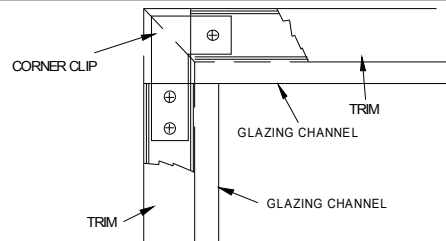
- b. Install per Cross Section H, centering the short side of the Trim on the Header Glazing Channel.
- 9) Install Glazing Jamb Trim
- a. Locate the Glazing Jamb Trim. (4 pieces, mitered at one end only).
 - b. Cut to size if unit was not ordered "Cut Net".
 - c. Install per Cross Section J, keeping the miter joint tight per Joint Detail 10.
- 10) Install Glazing Base Trim
- a. Locate the Glazing Base Trim. (2 pieces, square cut at both ends).
 - b. Install per Cross Section O, keeping the Trim tight to the Glazing Jamb Trim, per Joint Detail 5.
- 11) Install Vertical Glass to Glass Mullion Trim (If Required)
- a. See "Installation Instructions for 200 SERIES Relight Vertical Mullion"
- 12) Install Horizontal Glass to Glass Mullion Trim (If Required)
- a. See "Installation Instructions for 200 SERIES Horizontal Mullion"



CROSS SECTION O



JOINT DETAIL 5



JOINT DETAIL 10