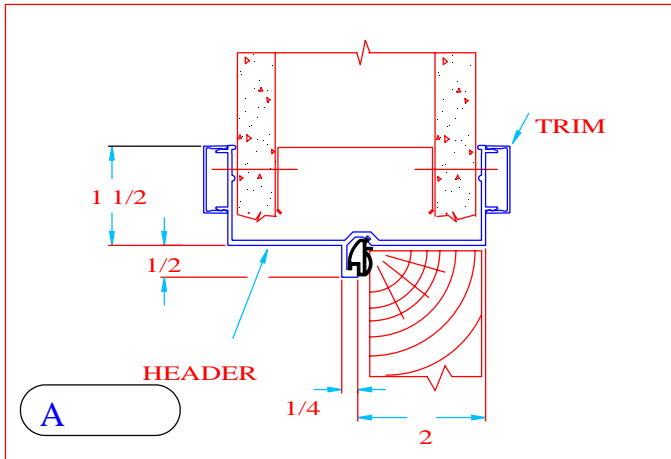
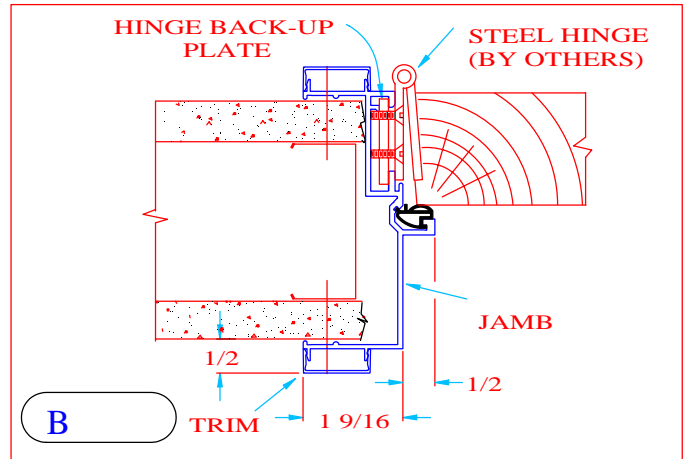


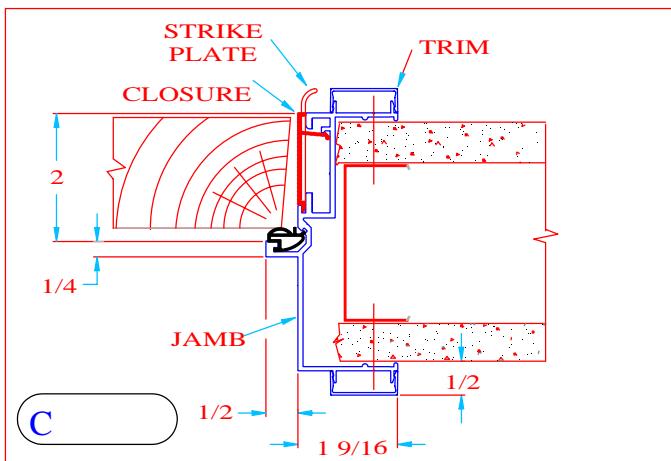
CROSS SECTIONS FOR SERIES 200 FRAME / SIDELIGHT & RELIGHT



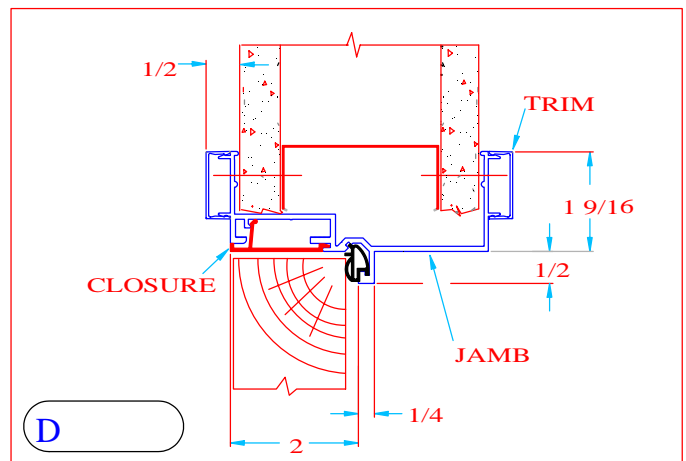
HEADER



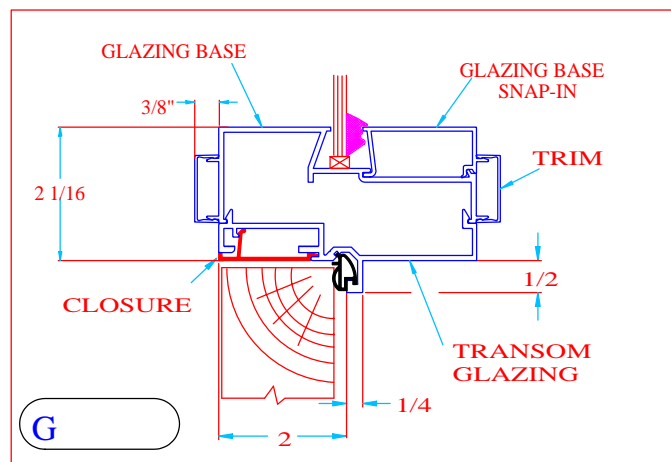
HINGE JAMB



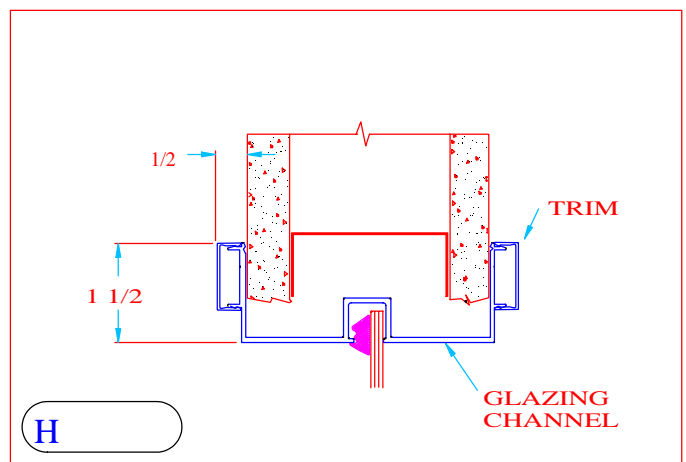
STRIKE JAMB



HEADER-ALT.

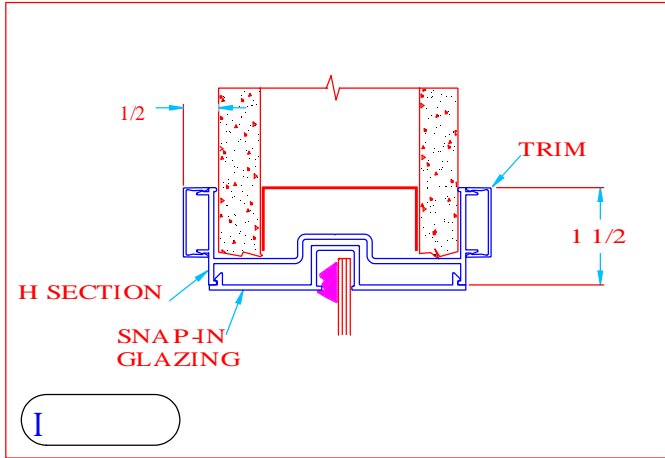


TRANSOM MULLION-ALT.

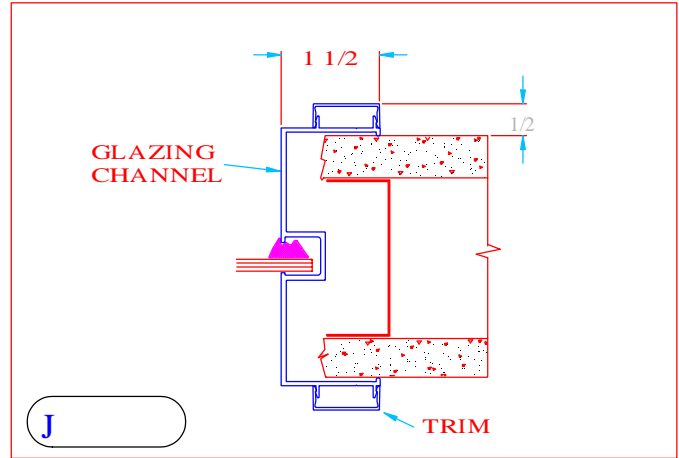


RELIGHT GLAZING HEADER

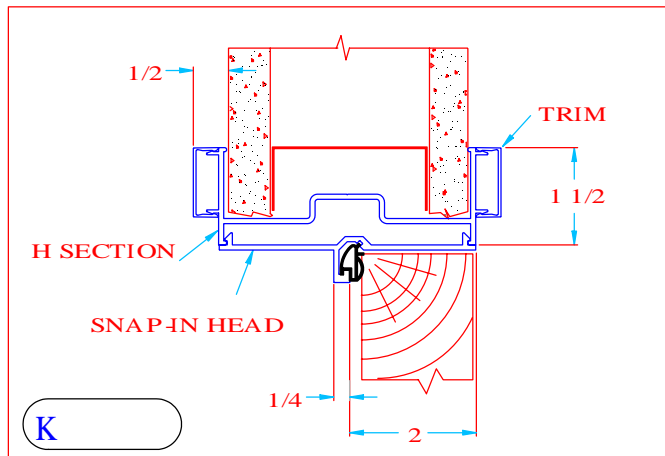
CROSS SECTIONS FOR SERIES 200 FRAME / SIDELIGHT & RELIGHT



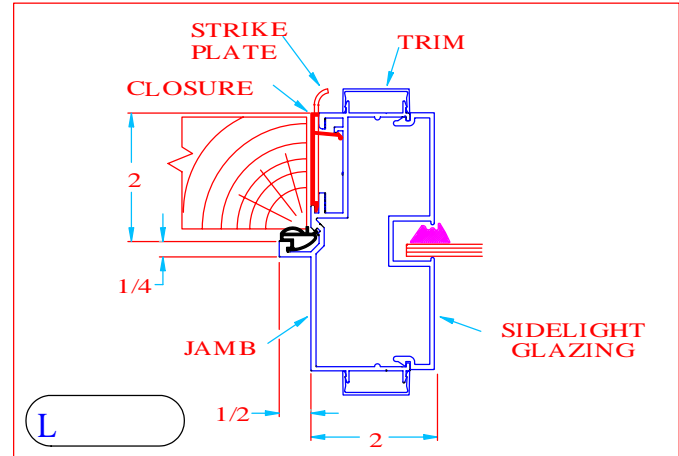
I
 SIDELIGHT GLAZING HEADER



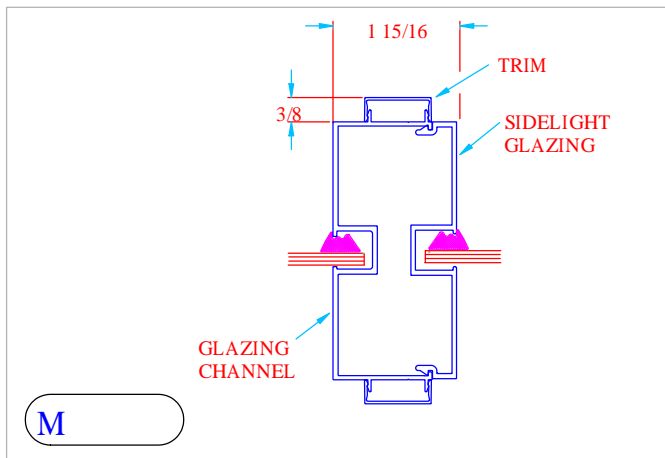
J
 GLAZING JAMB



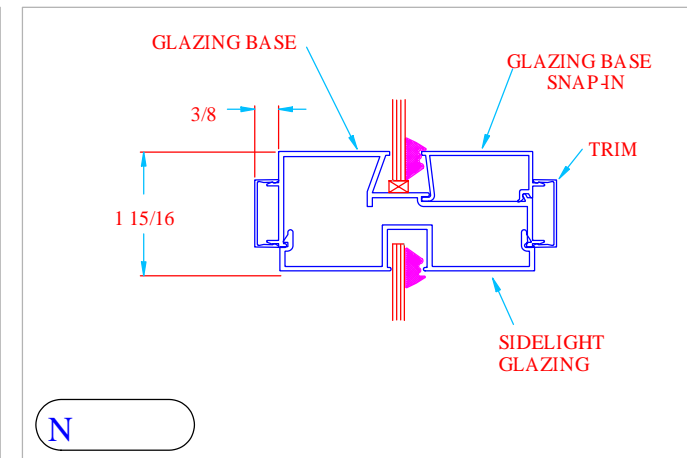
K
 SIDELIGHT DOOR HEADER



L
 SIDELIGHT STRIKE MULLION

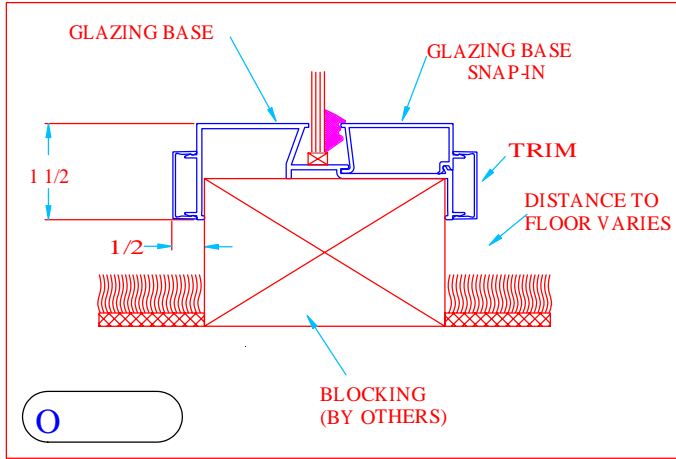


M
 VERTICAL GLAZING MULLION
 TRANSOM / SIDELIGHT MULLION

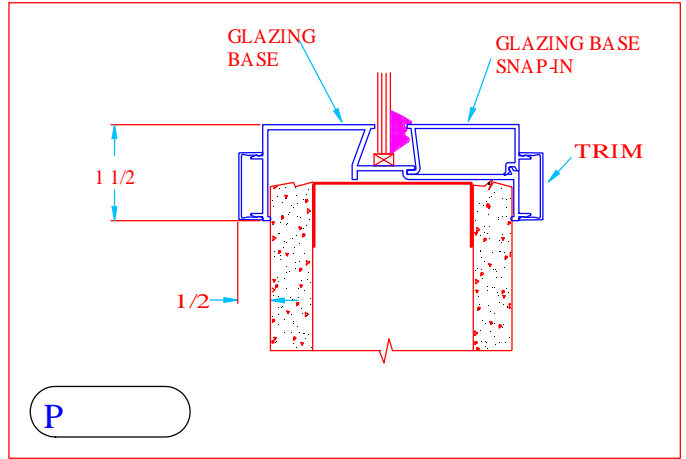


N
 HORIZONTAL GLAZING MULLION

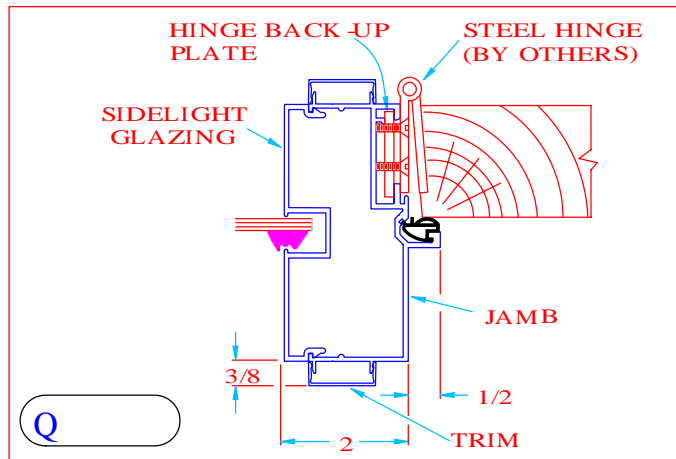
CROSS SECTIONS FOR SERIES 200 FRAME / SIDELIGHT & RELIGHT



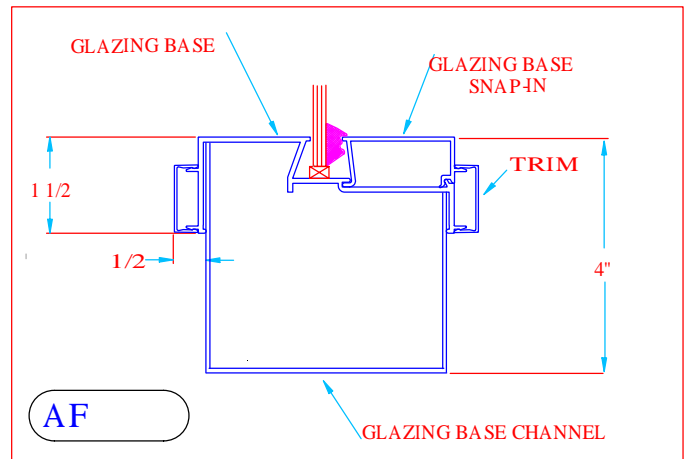
GLAZING SILL AT FLOOR / BASE LEVEL



GLAZING SILL AT MID-PANEL / BOTTOM GLAZING



SIDELIGHT HINGE MULLION



4" GLAZING SILL AT FLOOR BASE LEVEL