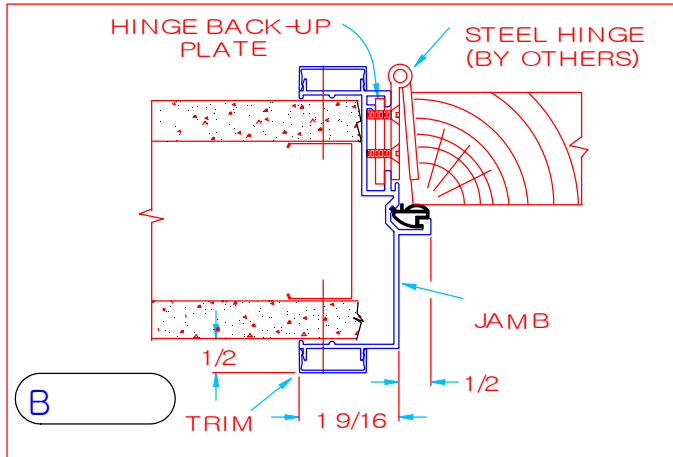
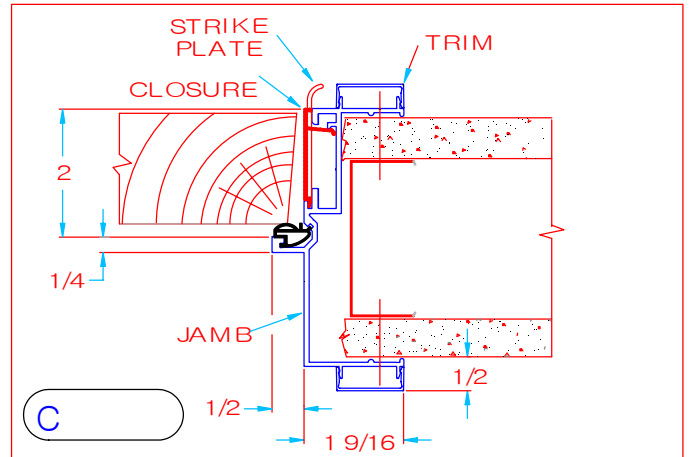


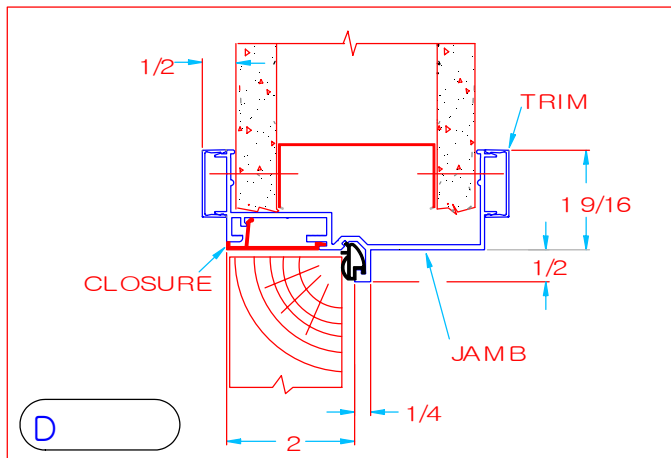
CROSS SECTIONS FOR SERIES 300 FRAME /SIDELIGHT & RELIGHT



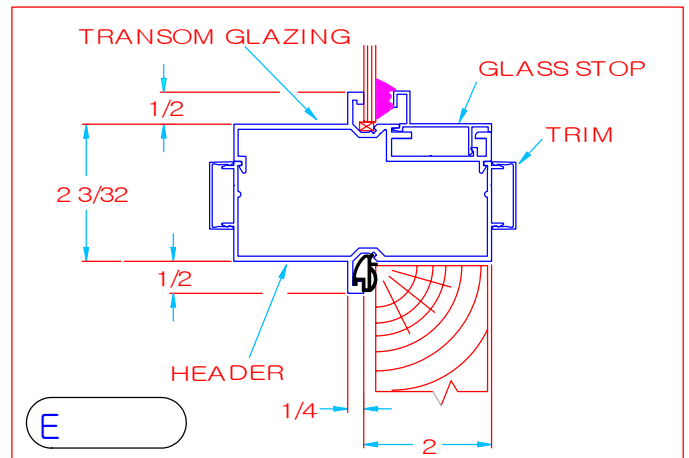
HINGE JAMB



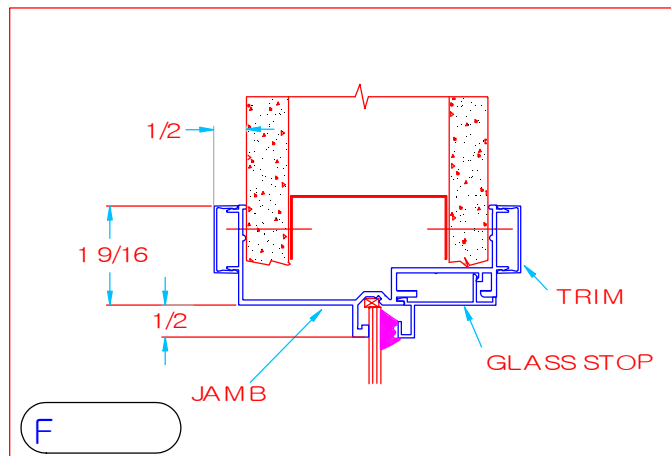
STRIKE JAMB



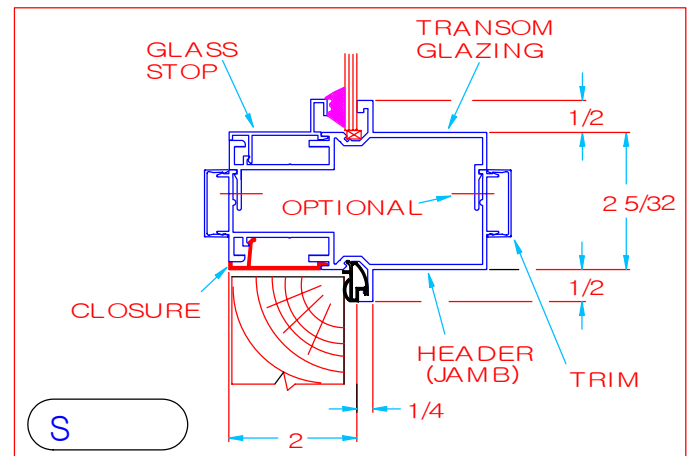
HEADER-ALT.



TRANSOM MULLION

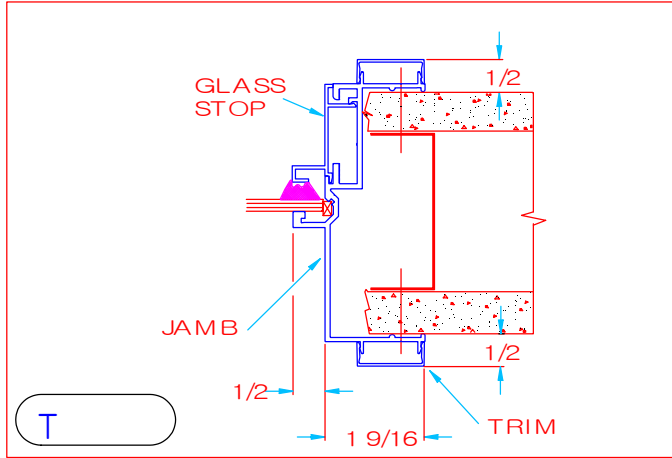


GLAZING HEADER

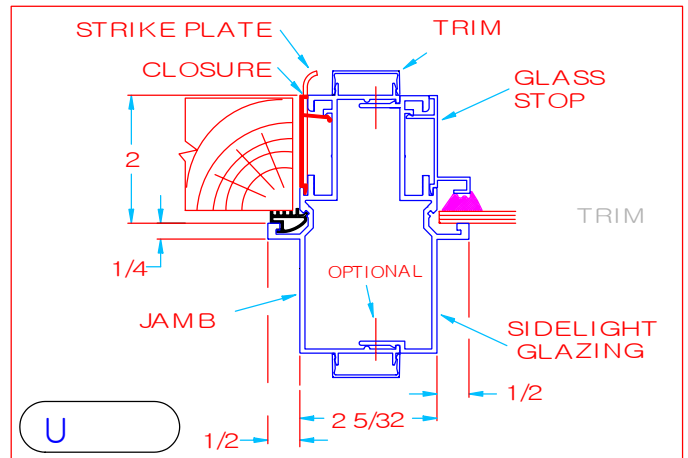


TRANSOM MULLION-ALT.

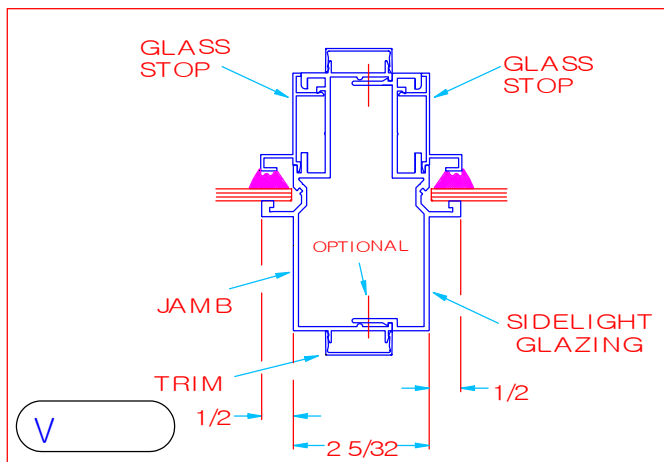
CROSS SECTIONS FOR SERIES 300 FRAME / SIDELIGHT & RELIGHT



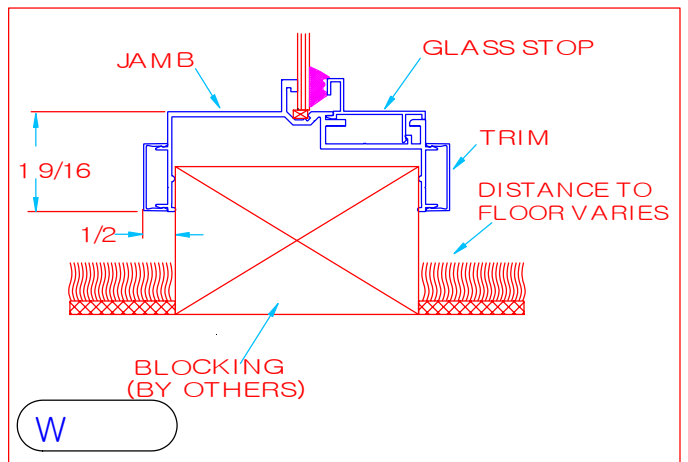
GLAZING JAMB



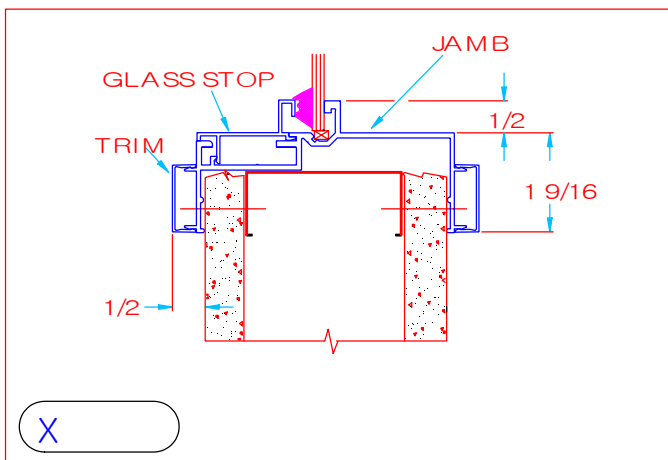
SIDELIGHT STRIKE



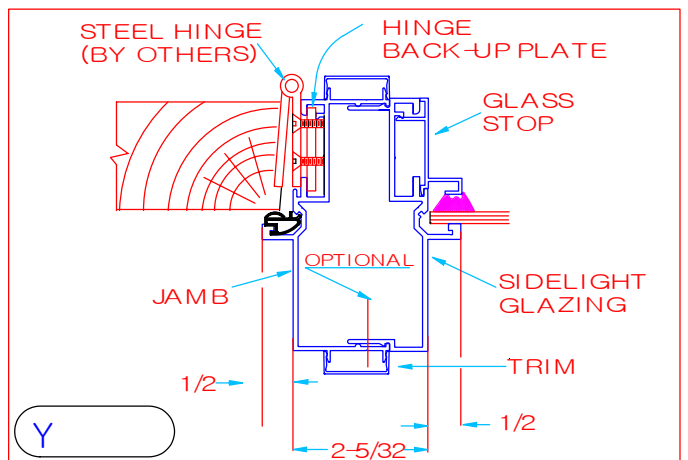
HORIZONTAL / VERTICAL MULLION



GLAZING SILL
 AT FLOOR / BASE LEVEL

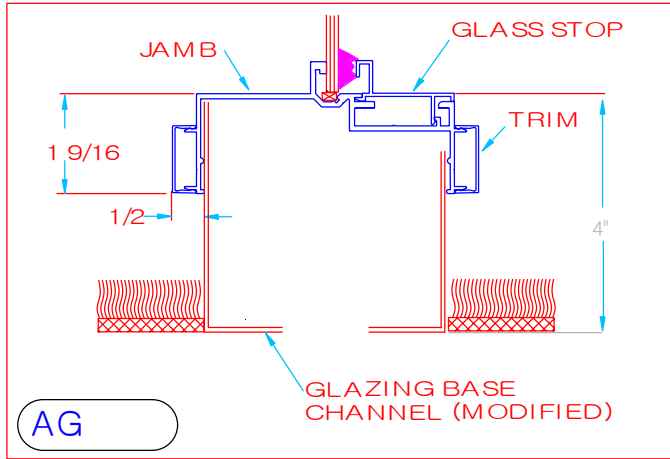


GLAZING SILL
 AT MID-PANEL / BOTTOM GLAZING



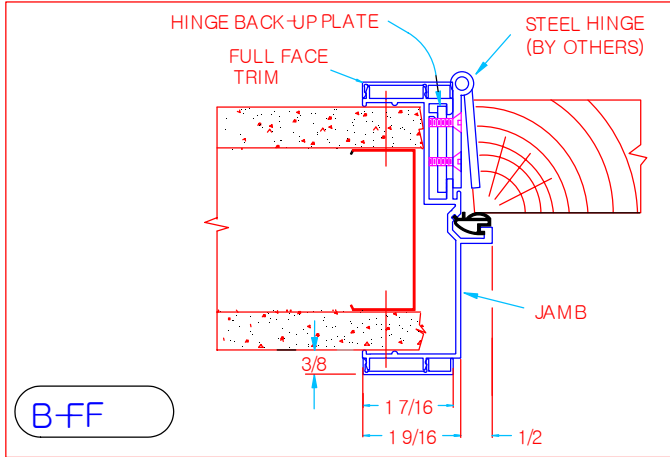
SIDELIGHT HINGE MULLION

CROSS SECTIONS FOR SERIES 300 FRAME / SIDELIGHT & RELIGHT

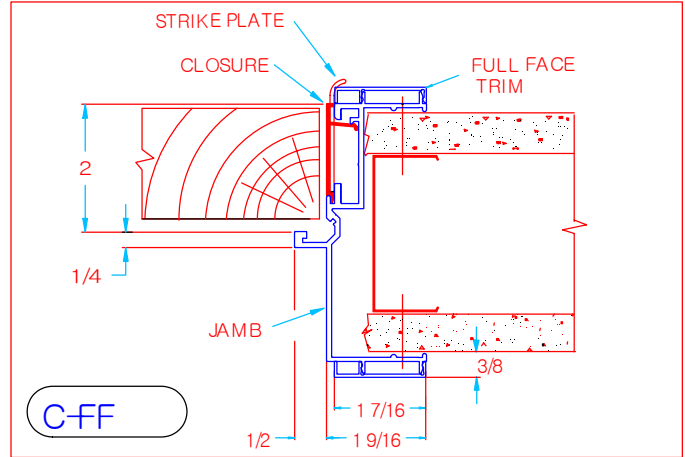


4" GLAZING SILL
AT FLOOR / BASE LEVEL

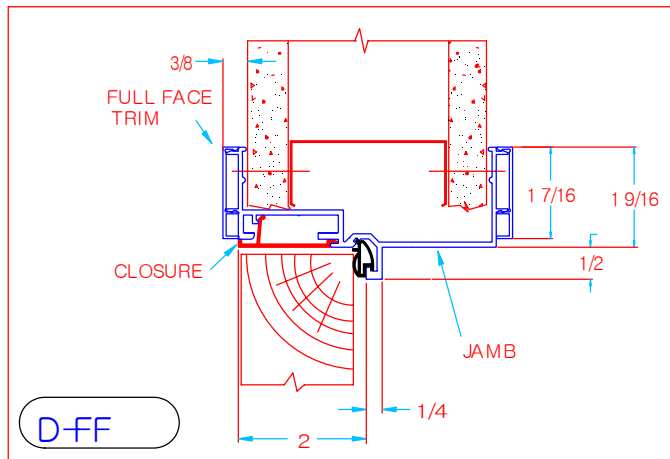
CROSS SECTIONS FOR SERIES 300 FRAME / SIDELIGHT & RELIGHT



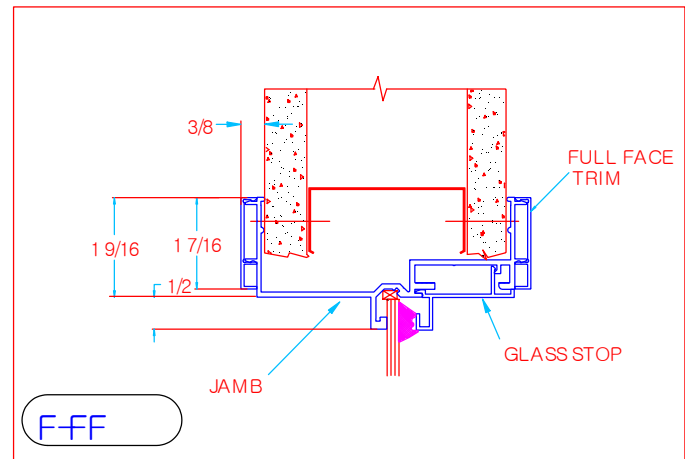
HINGE JAMB



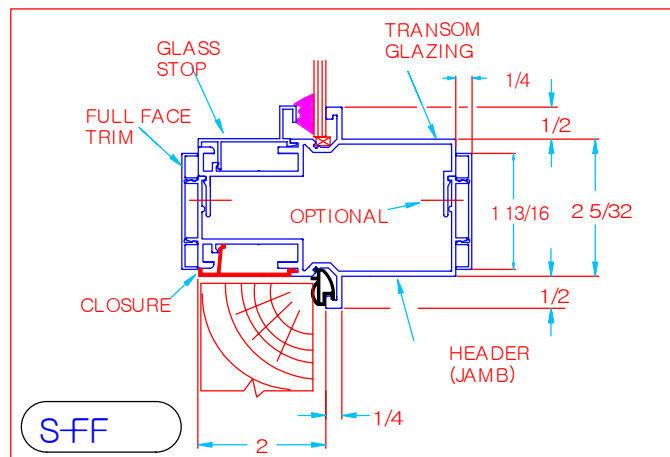
STRIKE JAMB



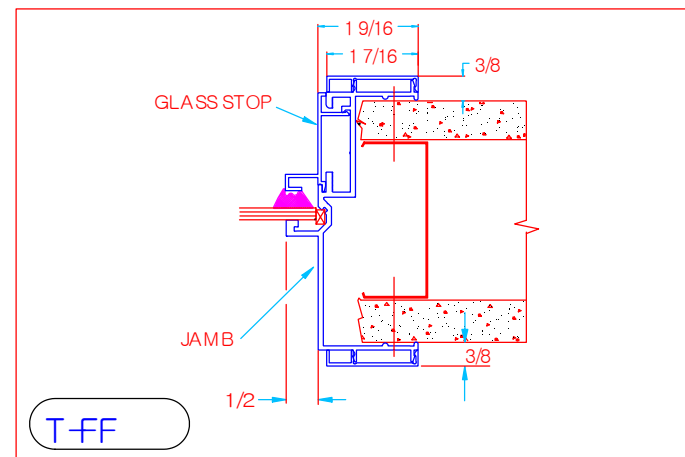
HEADER-ALT.



GLAZING HEADER

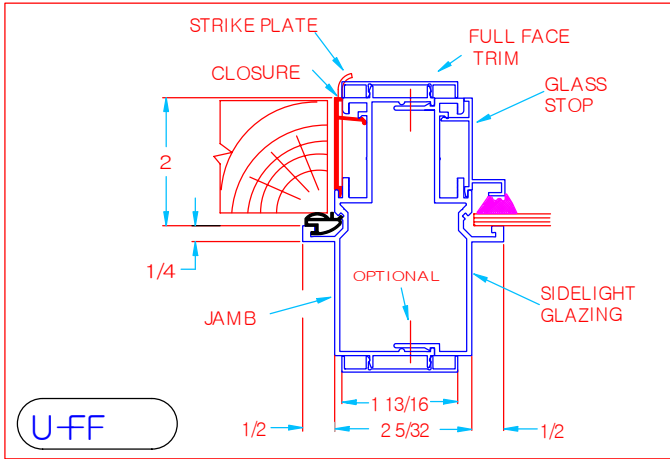


TRANSOM MULLION

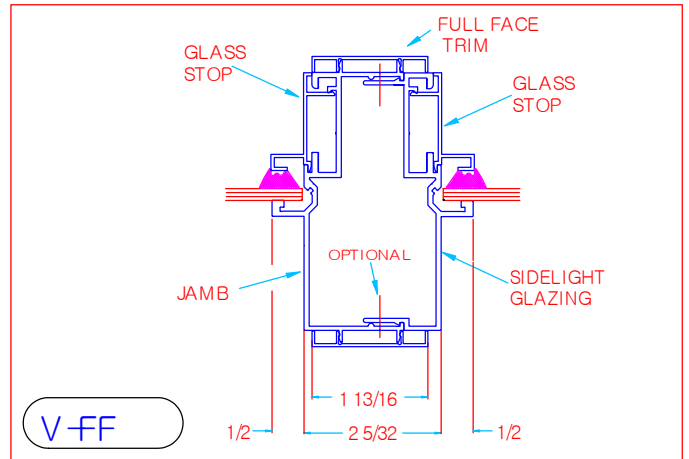


GLAZING JAMB

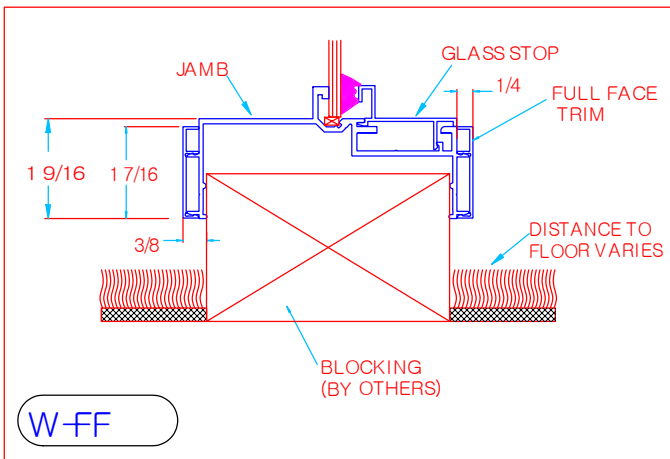
CROSS SECTIONS FOR SERIES 300 FRAME / SIDELIGHT & RELIGHT



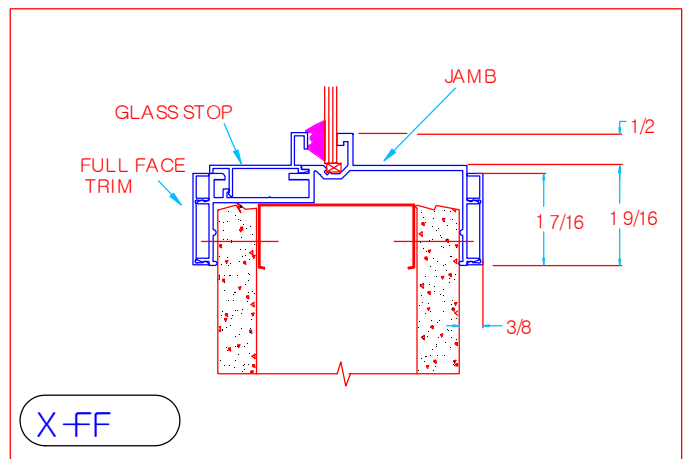
SIDELIGHT STRIKE MULLION



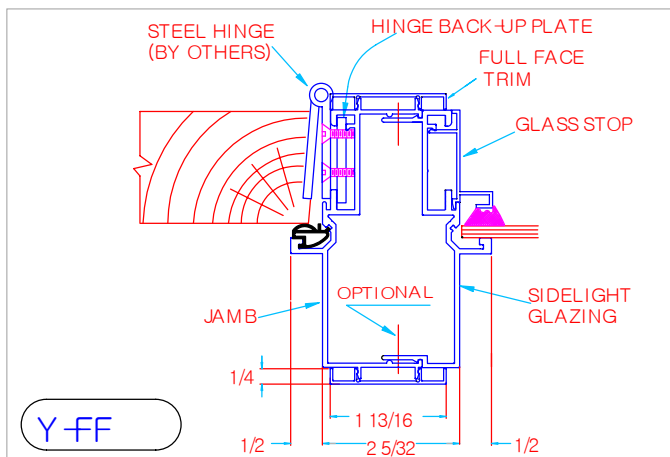
HORIZONTAL / VERTICAL GLAZING MULLION



GLAZING SILL AT FLOOR / BASE LEVEL



GLAZING SILL AT MID PANEL / BOTTOM GLAZING



SIDELIGHT HINGE MULLION